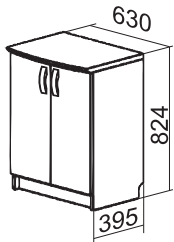


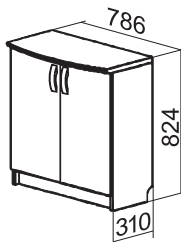
Filing cabinets

M - number of shelves for placing folders
D - number of shelves closed with doors
P - number of open shelves
F - number of drawers for file placement
AV, BV, CV, FV - parameters (depth, width)

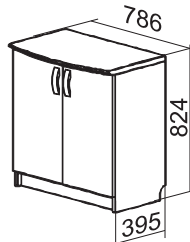
M2D2



AV



BV



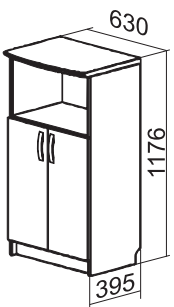
CV

M2F2

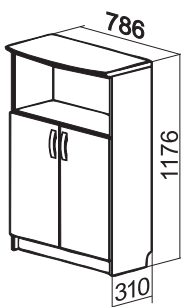


FV

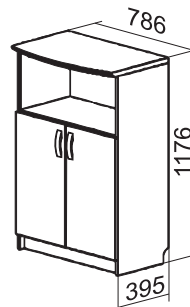
M3D2P



AV

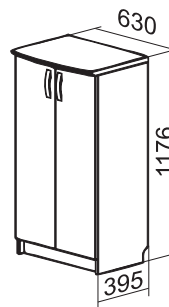


BV

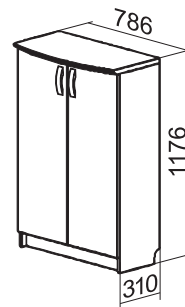


CV

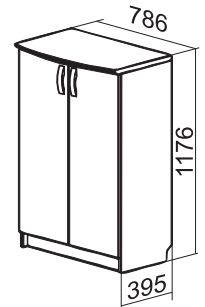
M3D3



AV

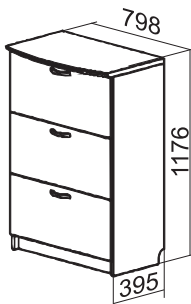


BV



CV

M3F3



FV

M3F2P

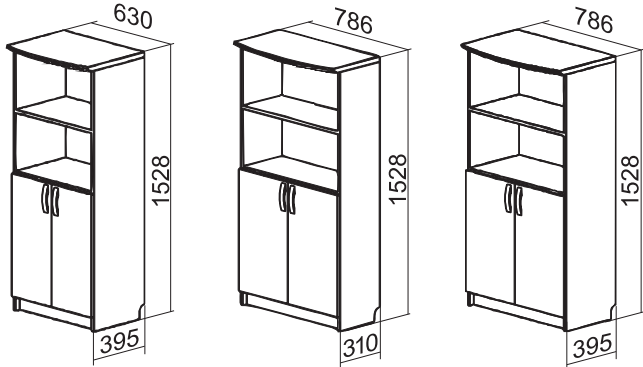


FV

Filing cabinets

M - number of shelves for placing folders
D - number of shelves closed with doors
P - number of open shelves
F - number of drawers for file placement
S - glass doors
AV, BV, CV, FV - parameters (depth, width)

M4D2P2

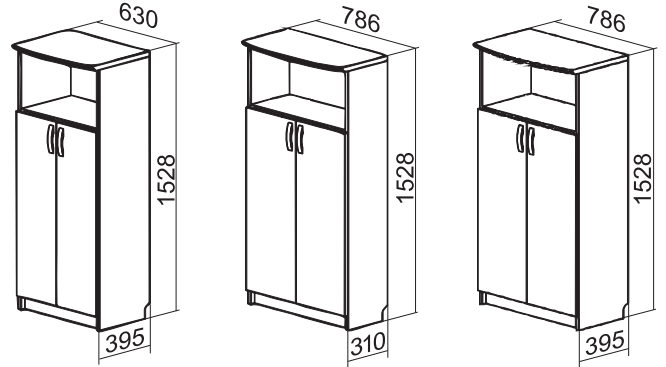


AV

BV

CV

M4D3P

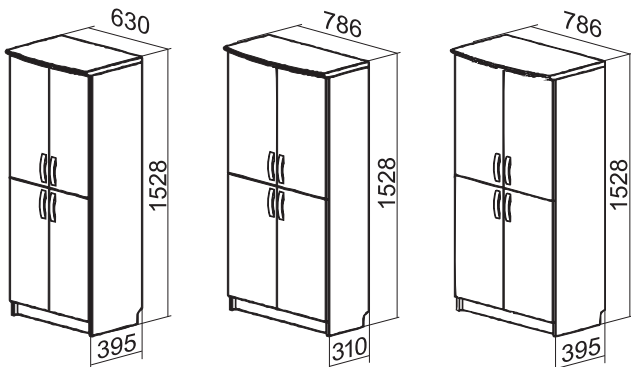


AV

BV

CV

M4D2D2

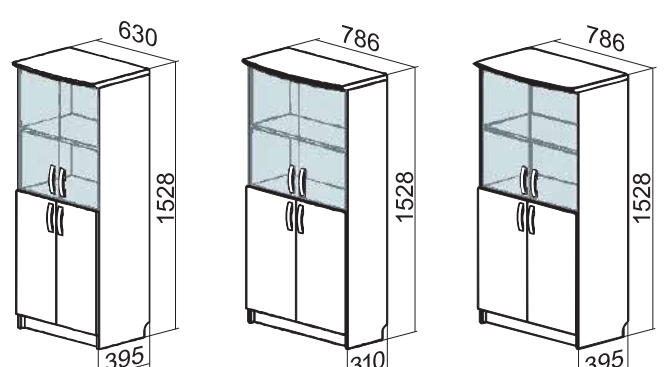


AV

BV

CV

M4D2D2

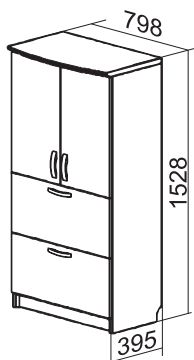


AVS

BVS

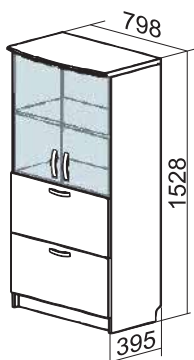
CVS

M4F2D2



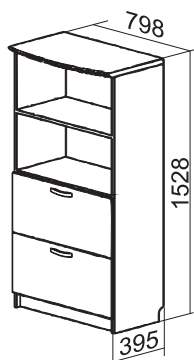
FV

M4F2D2



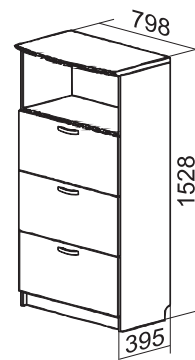
FVS

M4F2P2



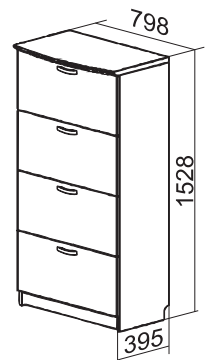
FV

M4F3P



FV

M4F4

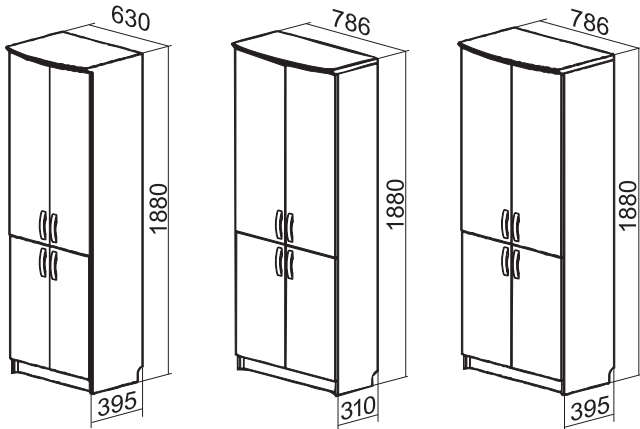


FV

Filing cabinets

M - number of shelves for placing folders
D - number of shelves closed with doors
P - number of open shelves
F - number of drawers for file placement
S - glass doors
AV, BV, CV, FV - parameters (depth, width)

M5D2D3

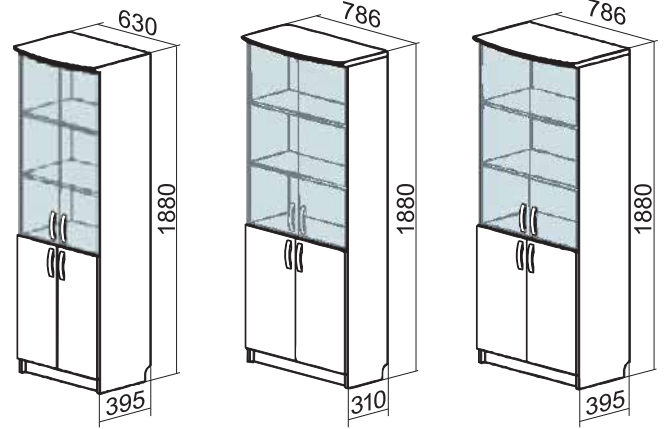


AV

BV

CV

M5D2D3

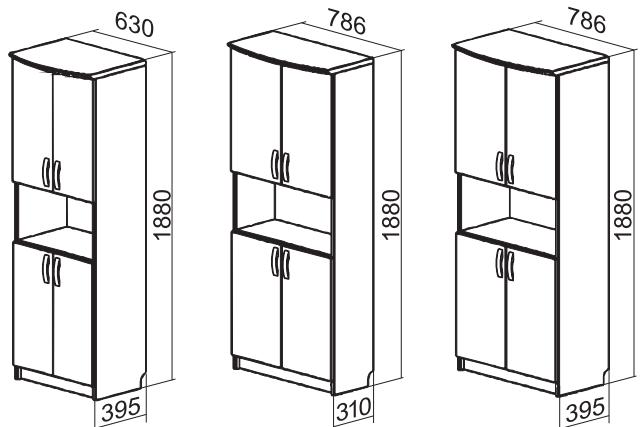


AVS

BVS

CVS

M5D2PD2

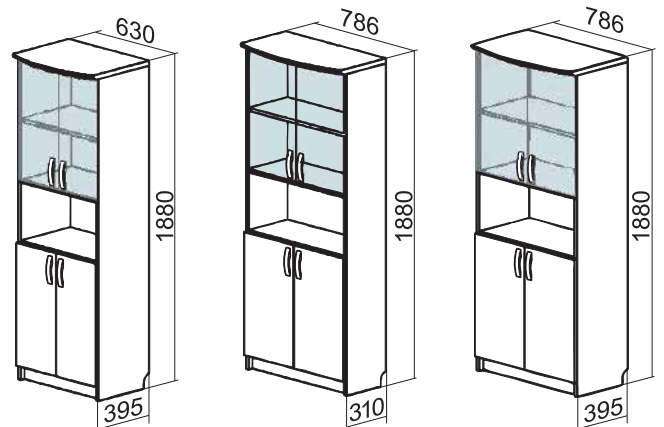


AV

BV

CV

M5D2PD2

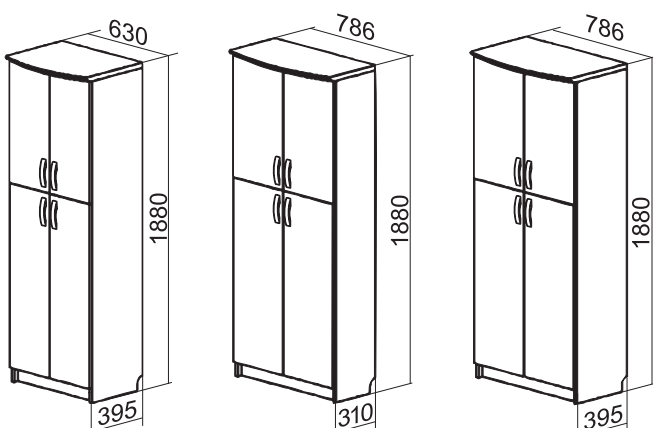


AVS

BVS

CVS

M5D3D2

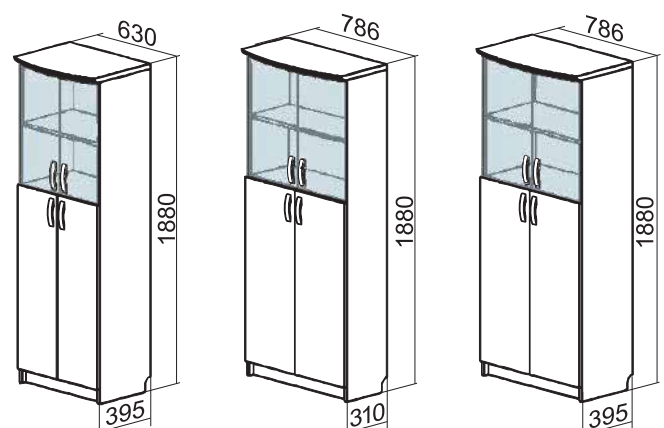


AV

BV

CV

M5D3D2



AVS

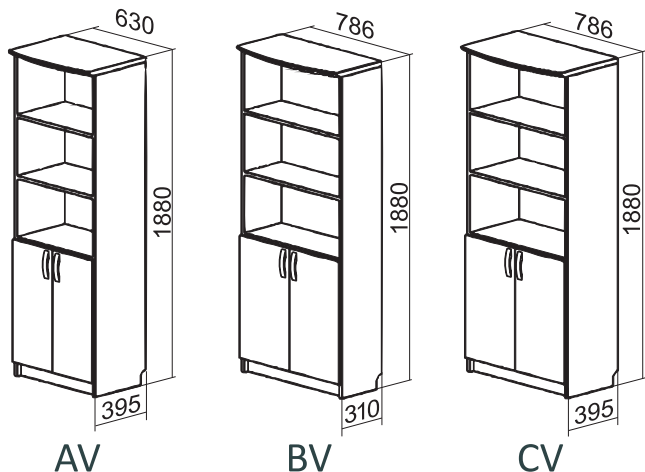
BVS

CVS

Filing cabinets

M - number of shelves for placing folders
D - number of shelves closed with doors
P - number of open shelves
F - number of drawers for file placement
S - glass doors
AV, BV, CV, FV - parameters (depth, width)

M5D2P3

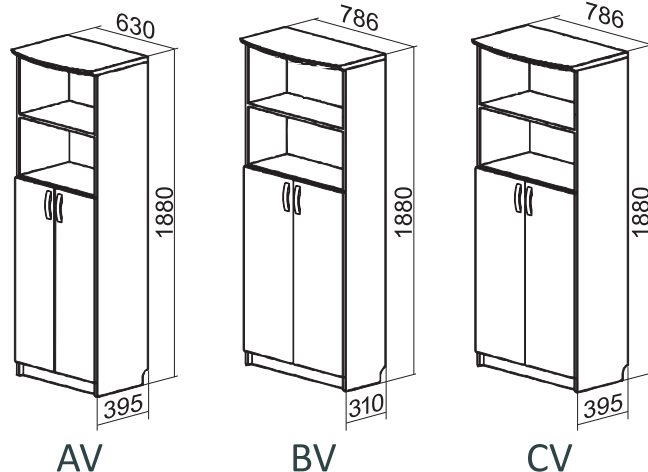


AV

BV

CV

M5D3P2

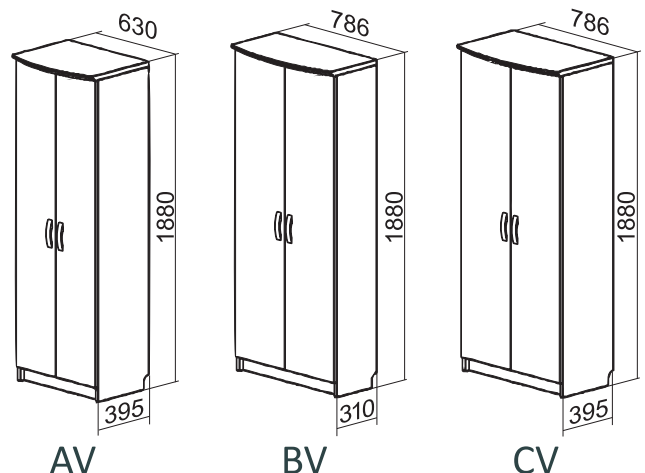


AV

BV

CV

M5D5

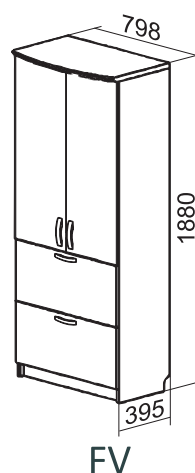


AV

BV

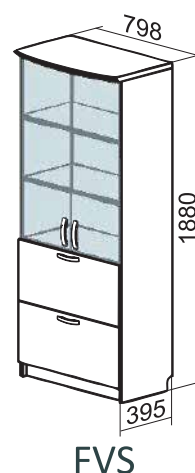
CV

M5F2D3



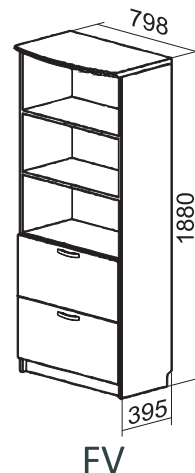
FV

M5F2D3



FVS

M5F2P3

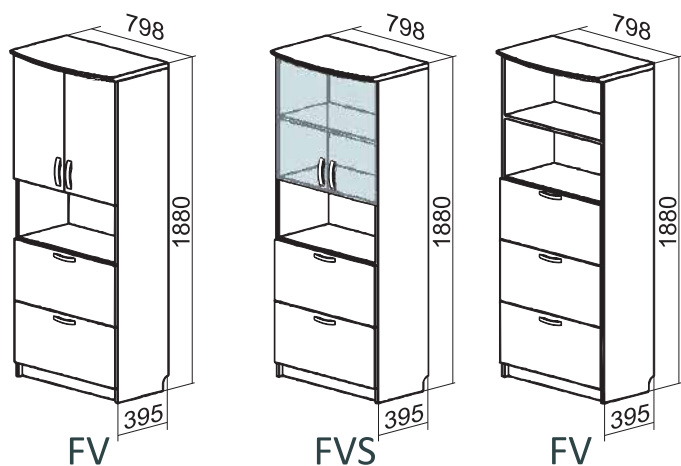


FV

M5F2PD2

M5F2PD2

M5F3P2



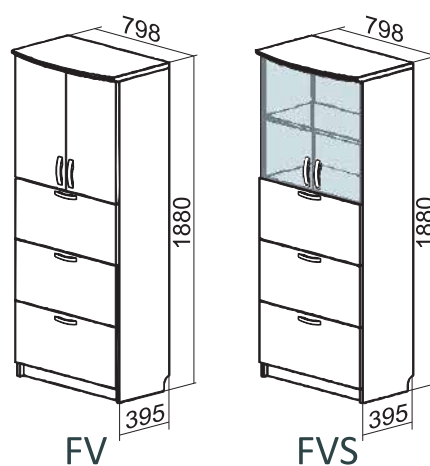
FV

FVS

FV

M5F3D2

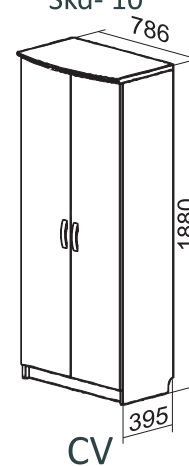
M5F3D2



FV

FVS

wardrobe
Skd- 10

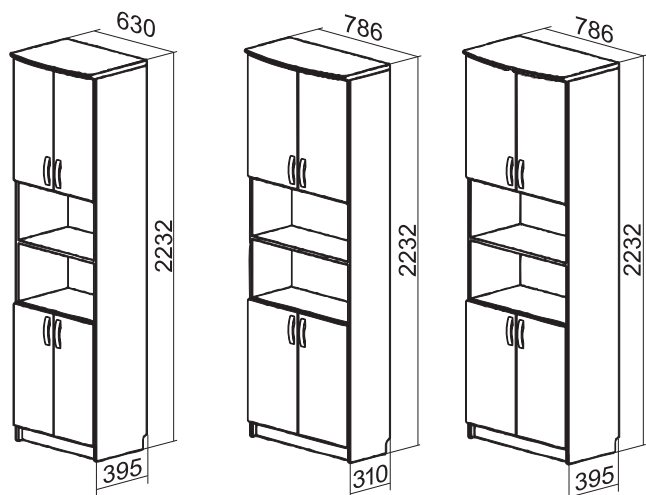


CV

Filing cabinets

M - number of shelves for placing folders
D - number of shelves closed with doors
P - number of open shelves
F - number of drawers for file placement
S - glass doors
AV, BV, CV, FV - parameters (depth, width)

M6D2P2D2

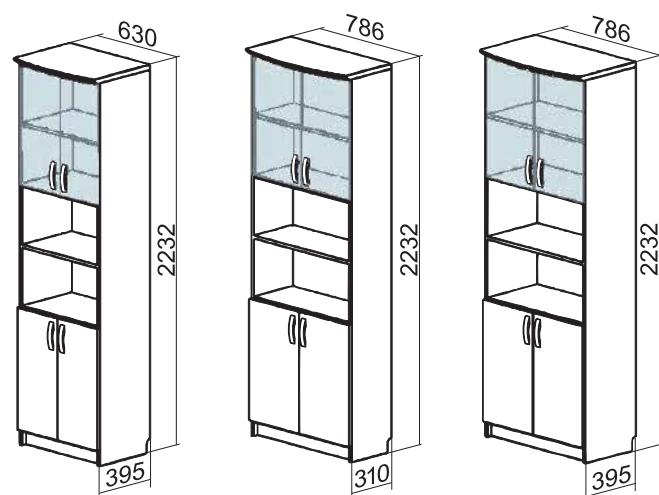


AV

BV

CV

M6D2P2D2

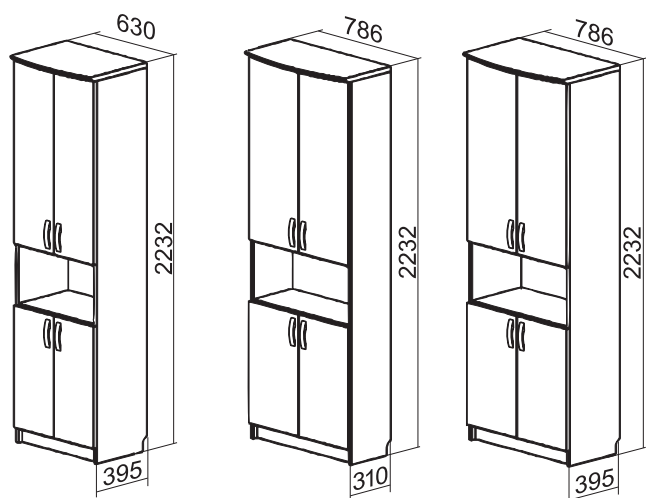


AVS

BVS

CVS

M6D2PD3

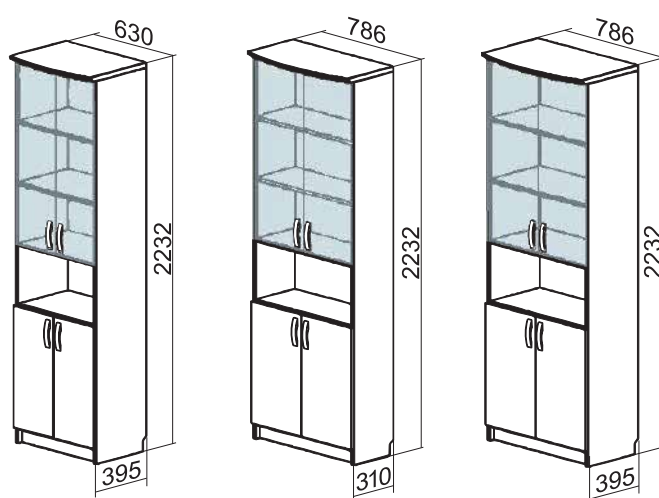


AV

BV

CV

M6D2PD3



AVS

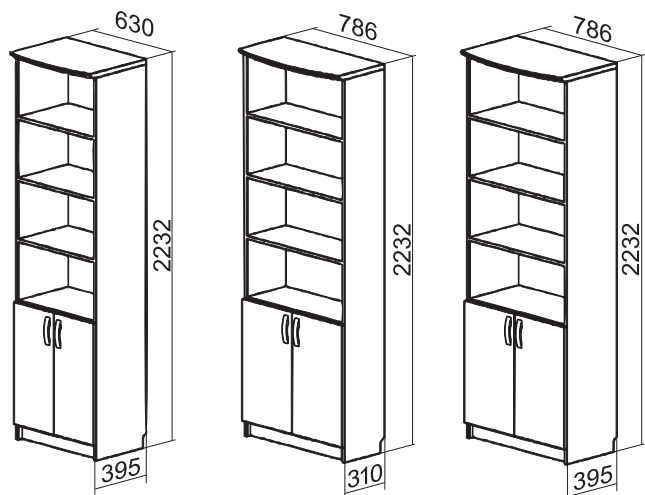
BVS

CVS

Filing cabinets

M - number of shelves for placing folders
 D - number of shelves closed with doors
 P - number of open shelves
 F - number of drawers for file placement
 S - glass doors
 AV, BV, CV, FV - parameters (depth, width)

M6D2P4

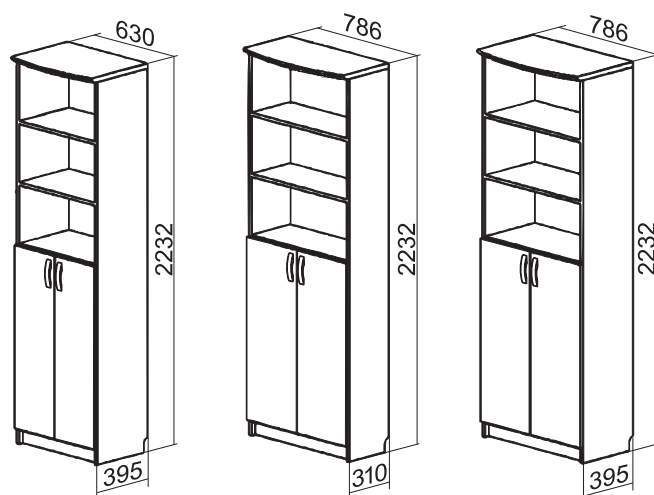


AV

BV

CV

M6D3P3

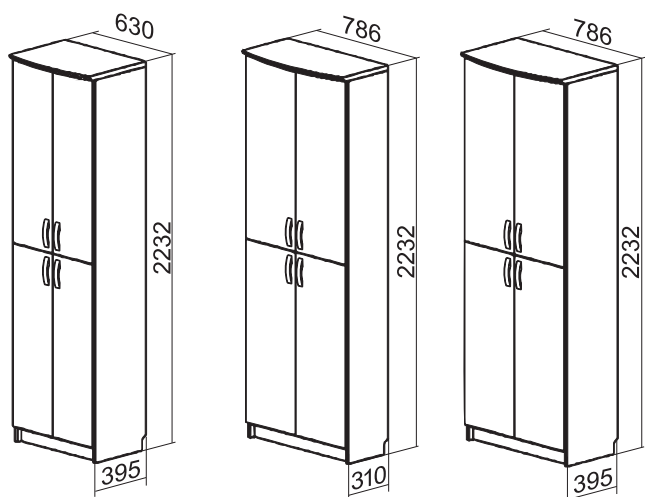


AV

BV

CV

M6D3D3

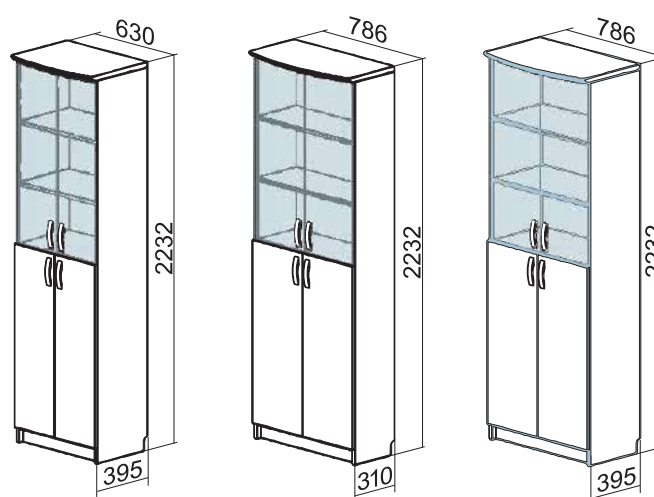


AV

BV

CV

M6D3D3



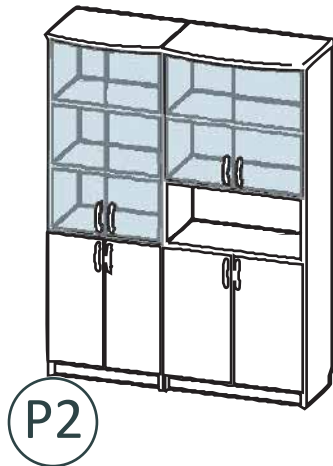
AVS

BVS

CVS

Filing cabinets

Examples

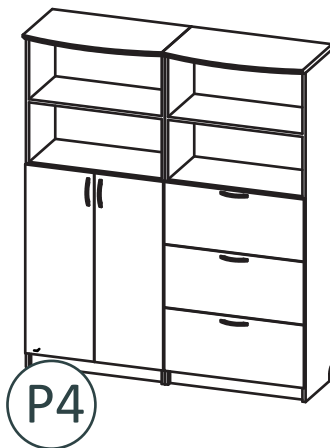
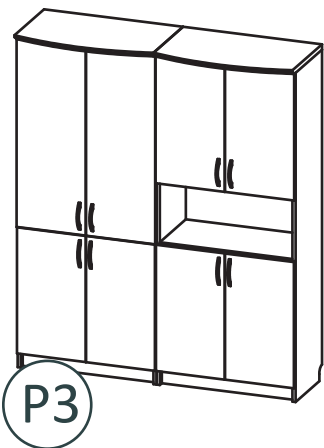


1 pcs. M5D3D2 AV
1 pcs. M5D3D2 AVS

P1

1 pcs. M5D2D3 AVS
1 pcs. M5D2PD2 CVS

P2



1 pcs. M5D2D3 CV
1 pcs. M5D2PD2 CV

P3

1 pcs. M5D3P2 CV
1 pcs. M5F32P2 FV

P4



1 pcs. Skd - 10 CV
1 pcs. M5D2P3 CV

P5

1 pcs. Skd - 10 CV
1 pcs. M5F2D3 FVS

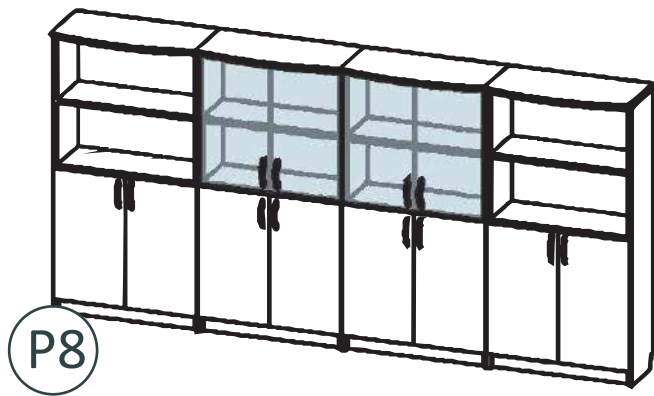
P6

Filing cabinets

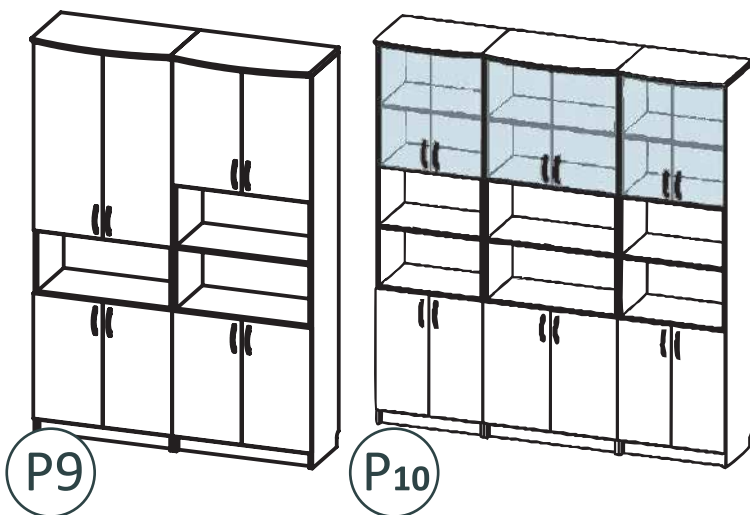
Examples



2 pcs. M2D2 CV
2 pcs. M3D2P CV



2 pcs. M4D2P2 BV
2 pcs. M4D2D2 BVS



1 pcs. M6D2PD3 CV
1 pcs. M6D2P2D2 CV

2 pcs. M6D2P2D2 AVS
1 pcs. M6D2P2D2 CVS