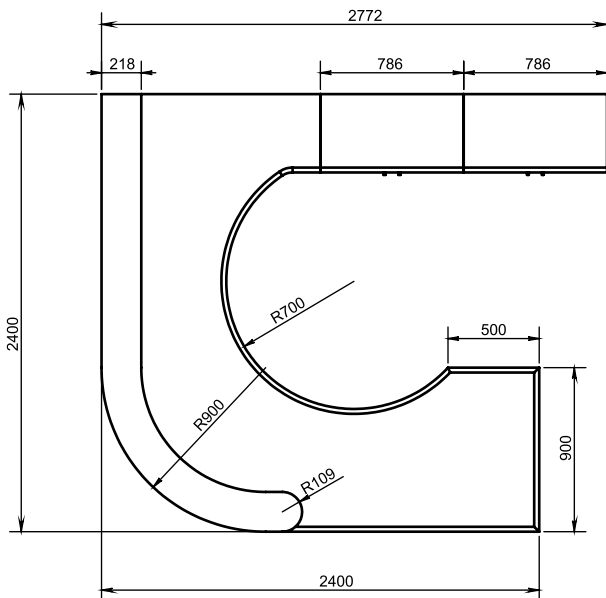
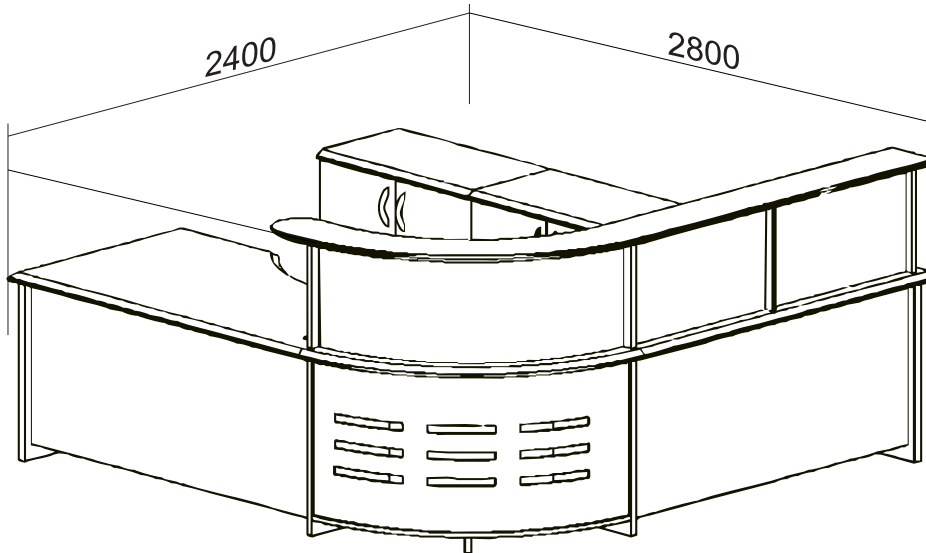
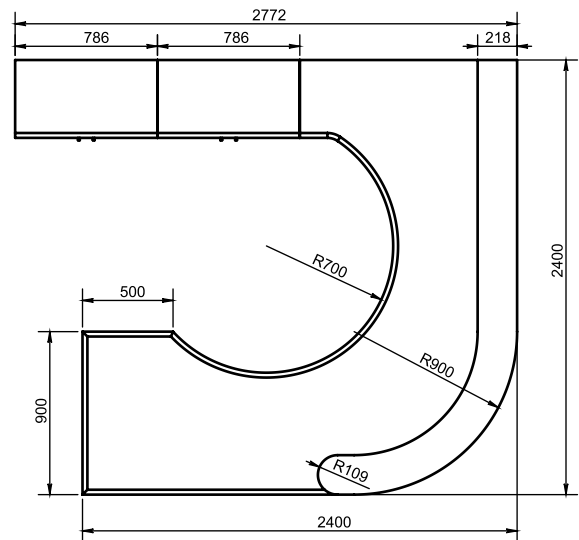


# ADMIN COUNTER

## Standart



K

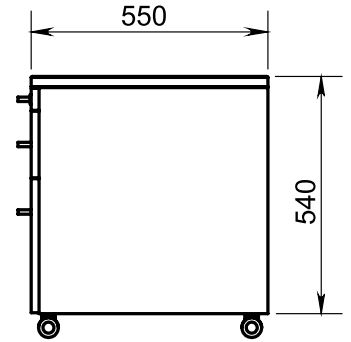
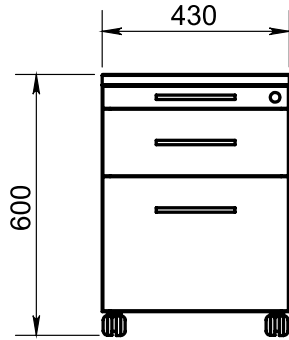


L

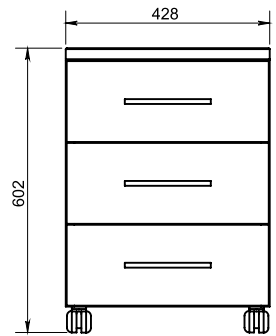
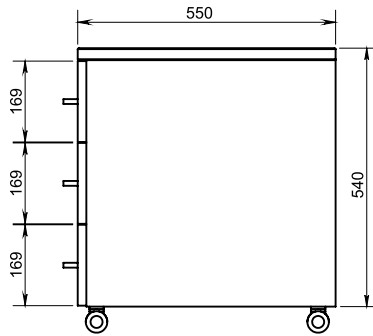
# Mobile drawer units

## Addition for counter

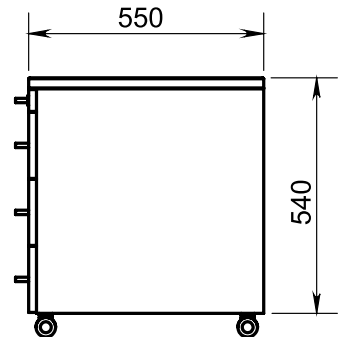
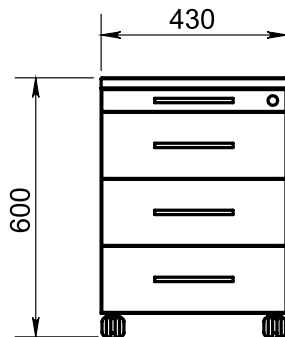
T3



T3\_1

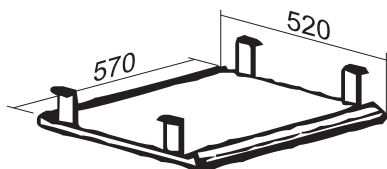


T4



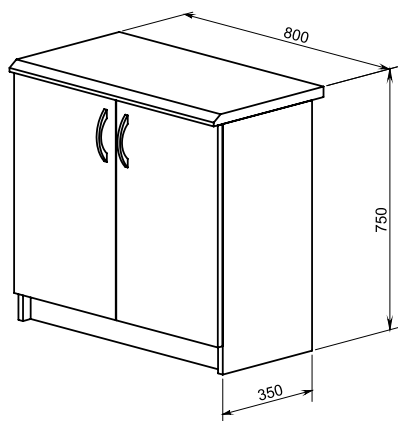
# Keyboard tray

M



# Low filing cabinet

M2\_750



The information provided here is for reference only, and Troja SIA reserves the right to supplement and change the specification of manufactured products without prior notice.



[troja@finieris.lv](mailto:troja@finieris.lv)

[trojasmebeles.lv](http://trojasmebeles.lv)

[troja.lv](http://troja.lv)

01/2024